



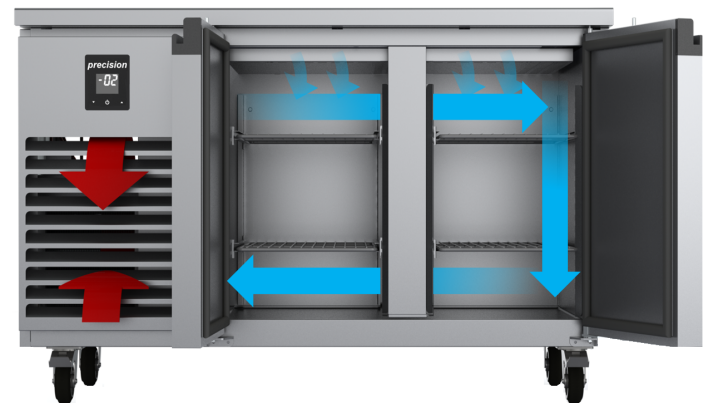
MCU223-UDD-865

Key Features:

- Stainless Steel Interior & Exterior
- Front Breathing & Venting Refrigeration System Designed To Operate In 43°C Ambient
- GN 2/3 Shelving System
- Anti-Drip Worktop
- Built-In Air Duct For Even Temperature Distribution
- R290 Hydrocarbon Refrigerant
- Zero ODP Injected Polyurethane Insulation - 60mm
- 2 / +4°C Refrigerator Temperature Range
- Electronic Controller With Easy Read LCD Screen
- Hot Gas Defrost
- Door / Drawer Locks Fitted As Standard
- Rifle Bore Coated Evaporators
- Integrated Flush Door Handle
- Hi / Lo Audio Visual Temperature Alarms
- Condensing Unit Safety System To Protect Compressor From Blocked Condensers
- Self Closing Doors
- Heavy Duty Brake & Swivel Castors
- Waste Heat Recovery Condensate Vaporiser System

Precision's durable all stainless steel GN2/3 counters have been designed to provide commercial caterers with reliable, energy and cost efficient refrigerated storage solutions. Proudly made in the UK, these counters are capable of meeting the highest demands of commercial kitchens all around the world.

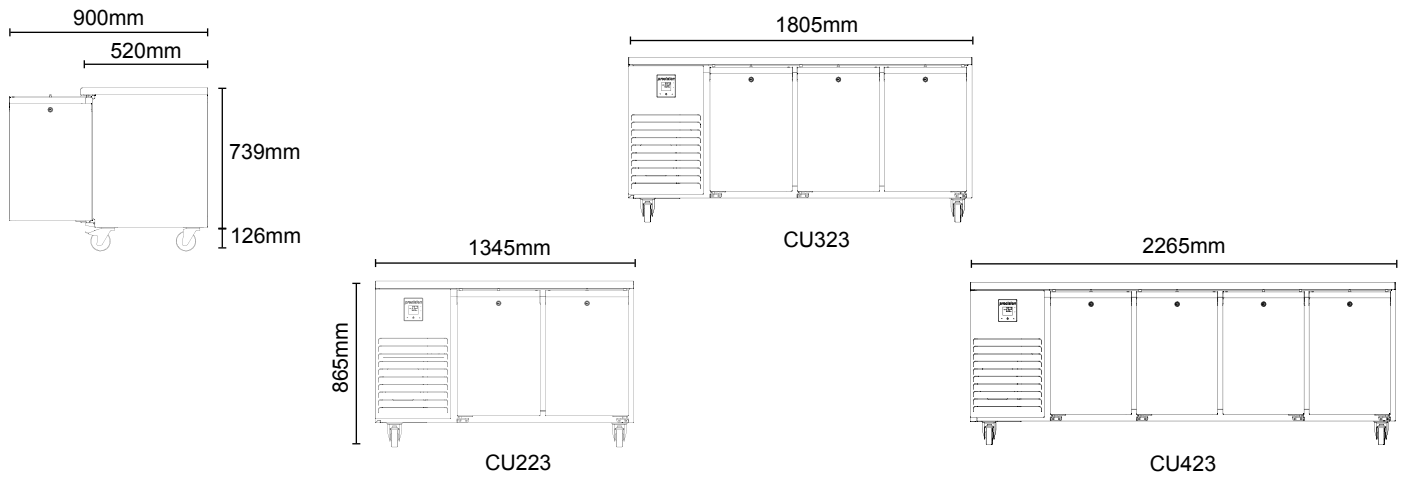
At just 520mm deep, these refrigerated counters provide a practical and flexible solution when space is at a premium.



Front Breathing & Venting Refrigeration System - No side/rear/top/bottom ventilation required - Perfect For Plinth Mount Applications

Options:

- Bank of 2 Drawers - H - (200/200mm Depth)
- Bank of 3 Drawers - T - (100/130/130mm Depth)
- Remote Units - R (Width reduces by 120mm)
- Raised Pan Grid - PG / Countertop Pan Wells
- Biscuit Worktop - Lowers Height By 20mm
- Low Profile Castors - Lowers Height By 17mm
- Levelling Feet (Plinth) - Lowers Height By 106mm
- Adjustable Legs - Increases Height to 910mm Max
- ST/ST Back / Splashback
- Right Hand Condensing Unit
- Extra Shelves / Slides
- Precision Connect



Model	MCU223	LCU223	MCU323	LCU323	MCU423
Type	Refrigerator	Freezer	Refrigerator	Freezer	Refrigerator
Material	ST/ST Int/Ext	ST/ST Int/Ext	ST/ST Int/Ext	ST/ST Int/Ext	ST/ST Int/Ext
Shelf Size	GN2/3	GN2/3	GN2/3	GN2/3	GN2/3
Number of Shelves	4	4	6	6	8
Max Number of Shelves (100mm Spacing)	10	10	15	15	20
Temperature Range	-2 / +4°C	-18 / -22°C	-2 / +4°C	-18 / -22°C	-2 / +4°C
Exterior WxDxH (mm)	1345x520x865	1345x520x865	1805x520x865	1805x520x865	2265x520x865
Net Usable Volume (litres)	115	115	173	173	236
Weight (KG)	110	115	125	130	145
Refrigerant / GWP	R290 /3	R290 /3	R290 /3	R290 /3	R290 /3
Refrigeration Watts (+45°C Condensing)	373	449	373	449	373
Evaporating Temp	-10°C	-30°C	-10°C	-30°C	-10°C
Heat Rejection Watts*	609	955	622	1028	634
Noise Output (dBa)	62	63	62	63	62
Power	230 / 50 / 1	230 / 50 / 1	230 / 50 / 1	230 / 50 / 1	230 / 50 / 1
Running Amps	1.4	3.0	1.5	3.4	1.5
Total Electrical Load - kW	0.32	0.69	0.35	0.78	0.35
Energy Consumption / 24hrs - kWh**	1.73	6.92	2.36	6.86	3.25
Energy Consumption / Year (AEC) - kWh**	632	2525	861	2504	1186
Energy Efficiency Class**	B	E	C	D	C

* Heat Rejection is taken at the listed evaporating and condensing condition. Watts is calculated by taking the total power of the cabinet.

** Tested to BS EN ISO 22041

We are constantly innovating and improving our products. Please always check our website for the most up-to-date version of this spec sheet